

# Technical data sheet

Product features



## Open stand

Model

SAP Code

00008185



– Material: AISI 304

# Technical data sheet

Technical drawing

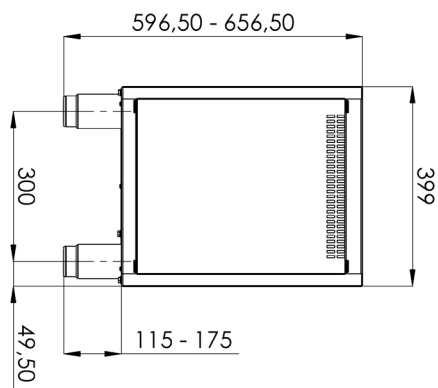
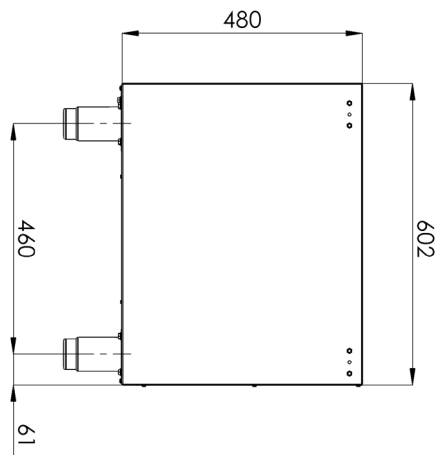


Open stand

Model

SAP Code

00008185



# Technical data sheet

Technical parameters



## Open stand

Model	SAP Code	
	00008185	

### 1. SAP Code:

00008185

### 6. Gross Width [mm]:

440

### 2. Net Width [mm]:

400

### 7. Gross depth [mm]:

800

### 3. Net Depth [mm]:

730

### 8. Gross Height [mm]:

1080

### 4. Net Height [mm]:

600

### 9. Gross Weight [kg]:

18.50

### 5. Net Weight [kg]:

15.20

### 10. Material:

AISI 304